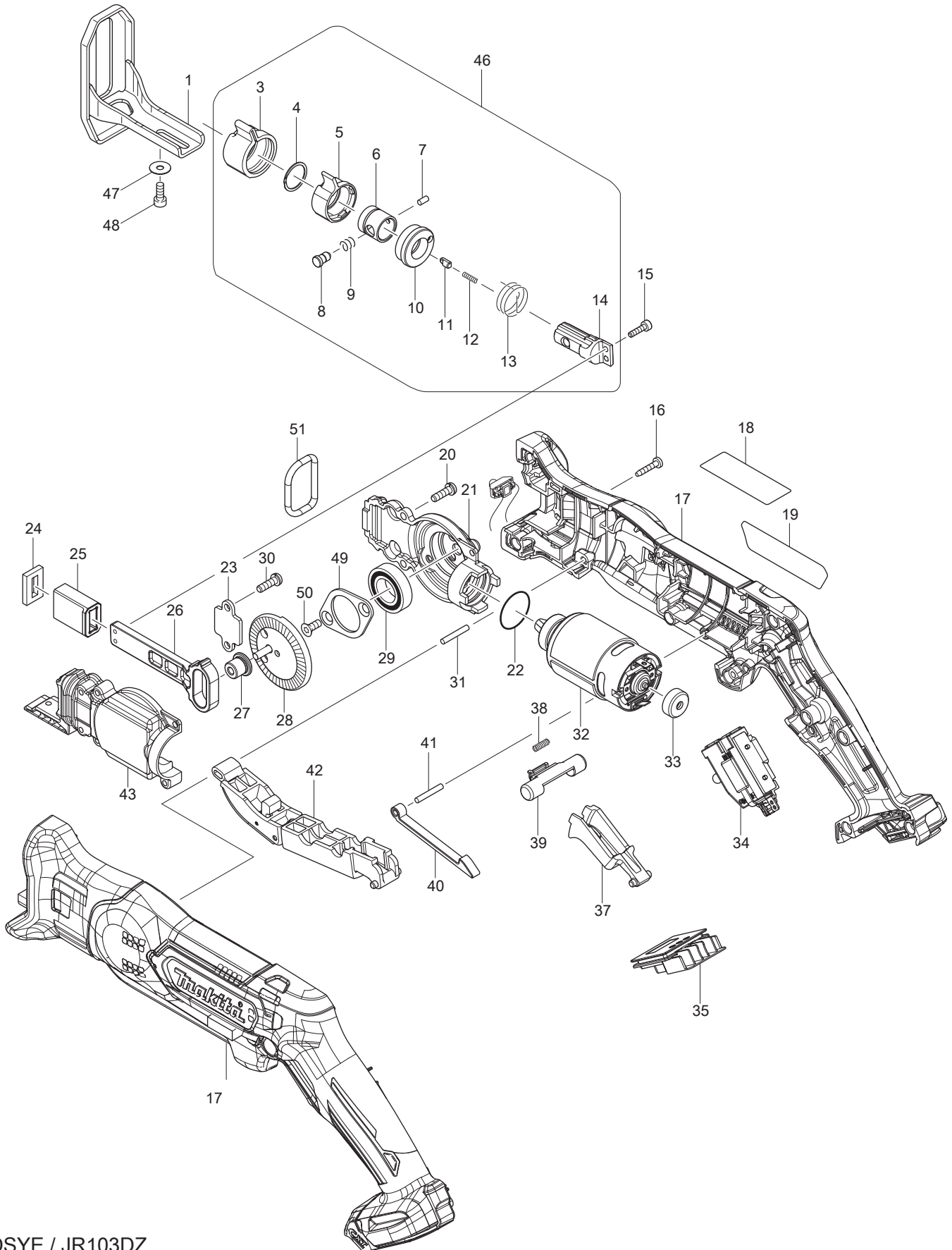




09 - 2015
JR103DSYE / JR103DZ
12V LXT Reciprocating Saw



Item No.	Type	Sub	Part No.	Description	Qty	Unit
001			165740-8	SHOE	1	PC.
003			424466-4	PROTECTOR	1	PC.
004			257981-1	RETAINING RING (EXT)16	1	PC.
005			310496-0	DRIVING SLEEVE	1	PC.
006			331963-2	GUIDE SLEEVE	1	PC.
007			268094-3	PIN 3	1	PC.
008			256492-3	SHOULDER PIN 5	1	PC.
009			233345-3	COMPRESSION SPRING 6	1	PC.
010			453071-0	CONNECTING SLEEVE	1	PC.
011	3		310912-2	* PUSH PIN	1	PC.
012	2		232472-3	* COMPRESSION SPRING 2	1	PC.
013			233594-2	TORTION SPRING 17	1	PC.
014			326113-2	BLADE GUIDE	1	PC.
015	1		265910-0	HEX. SOCKET HEAD BOLT M3X12	2	PC.
	2		265D80-9	HEX. SOCKET HEAD BOLT M3X10	2	PC.
016			266429-2	TAPPING SCREW 3X16	10	PC.
017			183C31-3	HOUSING SET	1	SET
		INC.	263002-9	RUBBER PIN 4	3	PC.
018			807F59-2	CAUTION LABEL	1	PC.
019			851H89-7	NAME PLATE F/JR103D	1	PC.
020			266747-8	PAN HEAD SCREW M4X14 WITH WM	3	PC.
021			319060-4	GEAR HOUSING	1	PC.
022			213961-7	O RING 22	1	PC.
023			346525-3	PLATE	1	PC.
024			443185-3	FELT SEAL	1	PC.
025			313220-0	SLIDER GUIDE	1	PC.
026			313271-3	SLIDER	1	PC.
027			313270-5	COLLARED SLEEVE 4	1	PC.
028			142284-5	GEAR COMPLETE	1	PC.
029			211242-3	BALL BEARING 6902ZZ	1	PC.
030			266747-8	PAN HEAD SCREW M4X14 WITH WM	2	PC.
031			256158-5	PIN 3	1	PC.
032			629165-5	DC MOTOR	1	PC.
033			424467-2	CAP	1	PC.
034			632F47-8	SWITCH UNIT	1	PC.
035			644813-5	TERMINAL	1	PC.
037			453072-8	SWITCH LEVER R	1	PC.
038			233438-6	COMPRESSION SPRING 4	1	PC.
039			454661-2	LOCK OFF LEVER R	1	PC.
040			313219-5	LINK	1	PC.
041			256158-5	PIN 3	1	PC.
042			141128-6	SWITCH LEVER F COMPLETE	1	PC.
043			319061-2	GEAR HOUSING COVER	1	PC.
046			126201-3	BLADE CLAMP ASSEMBLY	1	PC.
		INC.		Item No. 3-14		
047			253874-0	FLAT WASHER 4	1	PC.
048			922112-8	HEX. SOCKET HEAD BOLT M4X10	1	PC.
049			285738-0	BEARING RETAINER 36	1	PC.
050			265035-0	COUNTERSUNK HEAD SCREW M4X10	2	PC.
051			424597-9	RUBBER RING 23	1	PC.
C01A			878366-4	CARTON F/JR103DYE	1	PC.

ACCESSORIES

- Visit www.makita.ca for more accessories information -

A01			783201-2	HEX. WRENCH 3	1	PC.
A02			B-20432	RECIPRO SAW BLADE BIM 6T 4" 5PK, F/WOOD	1	PC.
A03			723063-A-5	RECIPRO BLADE BIM 18T 4" 5PK, F/METAL	1	PC.
A04			E-10693	RECIPRO SAW BLADE 3PC KIT	1	KT.
A05			DC10SB	RAPID CHARGER DC10SB	1	PC.

Item No.	Type	Sub	Part No.	Description	Qty	Unit
A06			-----	12V MAX LI-ION BATTERY, SLIDE TYPE	2	PC.
A07			821662-9	PLASTIC CARRYING CASE	1	PC.
		INC.	162315-4	LATCH	2	PC.
A08			456128-6	BATTERY COVER F/ 12V LI-ION SLIDE TYPE	1	PC.

SERVICE CHANGES

T/I# C5468

Item No.	Description	Type 1	Type 2	Type 3
011	Push Pin	310495-2	310859-0	310912-2
012	Compression Spring 2		233025-1	232472-3

Above parts are interchangeable as a set.